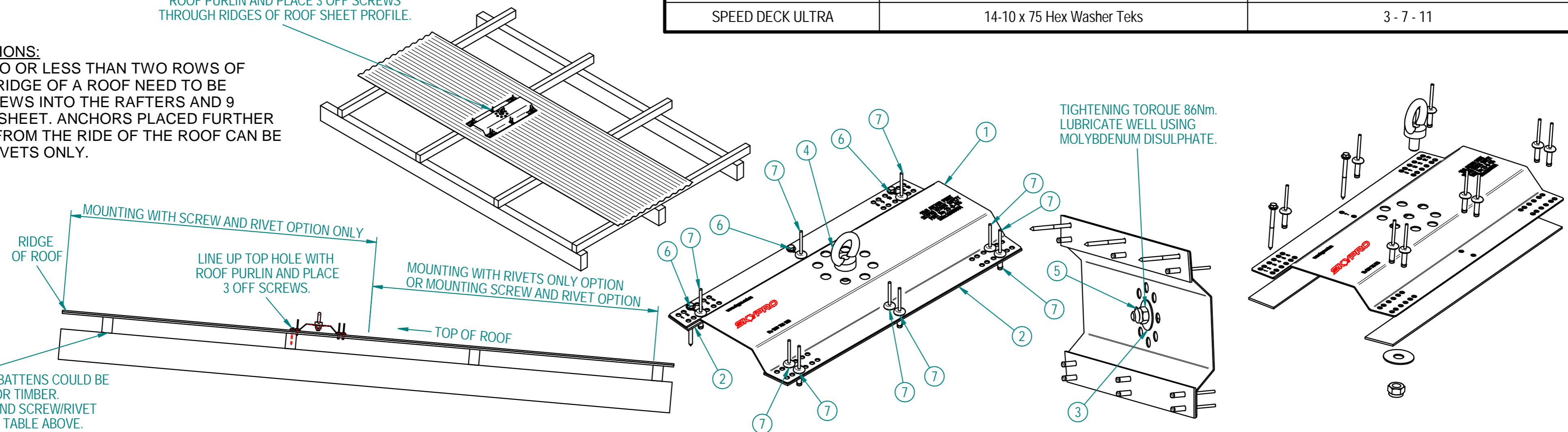


ALWAYS PLACE ANCHOR BRACKETS SO THAT TOP LINE OF HOLES ARE LINED UP WITH ROOF PURLIN AND PLACE 3 OFF SCREWS THROUGH RIDGES OF ROOF SHEET PROFILE.

NOTE: MOUNTING OPTIONS:
 ANCHORS PLACED TWO OR LESS THAN TWO ROWS OF PURLINS BELOW THE RIDGE OF A ROOF NEED TO BE MOUNTED WITH 3 SCREWS INTO THE RAFTERS AND 9 RIVETS TO THE ROOF SHEET. ANCHORS PLACED FURTHER THAN 2 ROWS DOWN FROM THE RIDGE OF THE ROOF CAN BE MOUNTED USING 12 RIVETS ONLY.



| Item | File Ref. | Title | Material | Height | Width | Length | Mass | Quantity |
|------|-------------------|--|---------------------------------|--------|----------|----------|--------|----------|
| 1 | 29-B-135D | ANCHOR PLATE | PLATE GR316 | 2.0 mm | 550.0 mm | 298.9 mm | 2.6 kg | 1 |
| 2 | 29-B-137- | RUBBER PAD ANCHOR PLATE | NITRILE FOAM TAPE SELF ADHESIVE | 3 mm | 50 mm | 550 mm | 0.1 kg | 2 |
| 3 | 29-B-172- | WASHER M16 x D50 | PLATE GR316 | 2 mm | 50 mm | 50 mm | 0.0 kg | 1 |
| 4 | EYEBOLT_M16 GR316 | EYEBOLT_M16 GR316 | | | | | 0.3 kg | 1 |
| 5 | NUT_M16 NYL GR316 | NUT_M16 NYLOC GR316 | | | | | 0.0 kg | 1 |
| 6 | | SCREW AS PER TABLE | | | | | 0.0 kg | 3 |
| 7 | RIVET_RV6605-9-6W | RIVET_RV6605-9-6W c/w WHEATER RESISTANT WASHER | GESIPA BULB TITE | | | | 0.0 kg | 9 |

MOUNTING ANCHOR POINT TO ROOFS WITH TIMBER PURLINS

| ROOF SHEET TYPE | SCREW TYPE | COLUMNS IN WHICH SCREWS/RIVETS ARE PLACED |
|------------------|---|---|
| CORRUGATED | 14-10 x 65 Hex Washer T17 Climaseal 4 with Seal | 3 - 7 - 11 |
| MONOCLAD | 14-10 x 75 Hex Washer T17 Climaseal 4 with Seal | 6 - 7 - 8 |
| SPANDEK | 14-10 x 75 Hex Washer T17 Climaseal 4 with Seal | 6 - 7 - 8 |
| LONGSPAN | 14-10 x 75 Hex Washer T17 Climaseal 4 with Seal | 5 - 7 - 9 |
| CAPACITY PLUS | 14-10 x 65 Hex Washer T17 Climaseal 4 with Seal | 4 - 7 - 10 |
| KLIP-LOK 700 | 14-10 x 75 Hex Washer T17 Climaseal 4 with Seal | 3 - 7 - 11 |
| KLIP-LOK 406 | 14-10 x 75 Hex Washer T17 Climaseal 4 with Seal | 5 - 7 - 9 |
| SPEED DECK ULTRA | 14-10 x 75 Hex Washer T17 Climaseal 4 with Seal | 3 - 7 - 11 |

MOUNTING ANCHOR POINT TO ROOFS WITH STEEL PURLINS

| ROOF SHEET TYPE | SCREW TYPE | COLUMNS IN WHICH SCREWS/RIVETS ARE PLACED |
|------------------|-----------------------------|---|
| CORRUGATED | 14-10 x 53 Hex Washer Tekes | 3 - 7 - 11 |
| MONOCLAD | 14-10 x 53 Hex Washer Tekes | 6 - 7 - 8 |
| SPANDEK | 14-10 x 53 Hex Washer Tekes | 6 - 7 - 8 |
| LONGSPAN | 14-10 x 53 Hex Washer Tekes | 5 - 7 - 9 |
| CAPACITY PLUS | 14-10 x 53 Hex Washer Tekes | 4 - 7 - 10 |
| KLIP-LOK 700 | 14-10 x 75 Hex Washer Tekes | 3 - 7 - 11 |
| KLIP-LOK 406 | 14-10 x 75 Hex Washer Tekes | 5 - 7 - 9 |
| SPEED DECK ULTRA | 14-10 x 75 Hex Washer Tekes | 3 - 7 - 11 |

| REV | Description | By | Date |
|-----|---|----|------------|
| D | TOP WASHER REMOVED, MOUNTING OPTIONS NOTE ADDED; | BB | 13-05-2019 |
| C | MATERIAL THICKNESS OF BRACKET CHANGED; WASHERS ADDED; | BB | 15-10-2015 |
| B | MATERIAL THICKNESS OF BRACKET CHANGED; | BB | 16-09-2015 |

| MANUFACTURING TOLERANCES (Unless Otherwise Specified) | | | | | | |
|---|---------|---------|---------|----------|-----------|-----------|
| SIZE RANGE (Millimetres) | 0-100 | 101-200 | 201-500 | 501-1000 | 1001-2000 | over 2000 |
| MACHINING(Whole Number Dimensions) | +/-0.30 | +/-0.50 | +/-1.0 | +/-1.0 | +/-1.5 | +/-1.5 |
| MACHINING(Decimal Dimensions) | +/-0.08 | +/-0.12 | +/-0.16 | +/-0.2 | +/-0.25 | +/-0.25 |
| FABRICATION | +/-1.5 | +/-1.5 | +/-2.0 | +/-3.0 | +/-3.0 | +/-4.0 |
| CASTING-LENGTHS (Unmachined Dimensions) | +/-2.5 | +/-3.0 | +/-5.0 | +/-6.0 | +/-8.0 | +/-10.0 |

Project: SKYPRO HEIGHT SAFETY
 Phone: 1300 786 583
 www.skypro.net.au

| | | |
|------------|----------|----------------|
| SCALE: 1:5 | NAME: BB | DATE: 13/05/19 |
| DRAWN | CHECKED | |

| |
|--|
| TITLE: INSTALLATION FALL ARREST, ROPE ACCESS, MULTI-USE ANCHOR POINT |
| SIZE: DWG NO. 29-AA-013D |
| FILE NAME: 29-AA-013D.dft |

| | |
|--------|--------------|
| REV: D | SHEET 1 OF 1 |
|--------|--------------|